



Cat[®] D3

TRACK-TYPE TRACTOR

FEATURES:

The new Cat[®] D3 delivers superior performance and the broadest choice of technology features to help you get the most from your dozer. Nimble and responsive, it has power for dozing and finesse for grading. Fully hydrostatic transmission gives you seamless acceleration, so you can get the job done quickly. The load sensing system automatically optimizes ground speed based on load, for the greatest productivity and fuel efficiency.

IMPROVED VISIBILITY

- New sloped hood provides better visibility to the work in front of the blade as well as the overall job site. Better visibility can equal less operator fatigue and more confidence in your work.

GRADE TECHNOLOGY

- Scalable 2D and 3D Cat Grade provide technologies like Slope Assist, Stable Blade, and Slope Indicate for easier and more efficient operation, as well as the flexibility to adapt different technology based on job site demands.

UP TO 10% IMPROVED FUEL ECONOMY

- The D3 features the lowest fuel consumption in this size class with the same great performance you've come to expect. Up to 20% improvement and no performance sacrifice when ECO mode is active.

COMFORTABLE WORK SPACE

- The spacious and comfortable cab features an optional heated and ventilated seat, along with heated joystick controls to make the operator comfortable no matter what the conditions are outside. The seat height and armrests can be easily adjusted to the operator's preference.

BIGGER, BETTER DISPLAY WITH CAMERA

- This new and improved optional 10 in (254 mm) touchscreen, color display is easy to use, with a great view of machine settings, rearview camera and Slope Indicate/Slope Assist screens. The large reversing camera gives the operator better visibility to the job site.

DURABLE UNDERCARRIAGE

- The D3 is available with either a Sealed and Lubricated Track (SALT) or Abrasion undercarriage to best suit your application. The undercarriage has a longer life resulting in less down time. A one piece mainframe/track roller frame design and the large, double reduction planetary final drive allow the machine to push heavy loads.

Specifications

Engine

Engine Model	Cat [®] C3.6	
Net Power @ 2,200 rpm		
SAE J1349	77.6 kW	104 hp
ISO 9249, 80/1269/EEC	77.6 kW	104 hp
Power Train	Hydrostatic	
Displacement	3.6 L	220 in ³

- Net power is tested per ISO 9249:2007 and SAE J1349:2011 and as advertised is the power available at the flywheel when the engine is equipped with fan, air intake system, exhaust system and alternator.
- All non-road U.S. EPA Tier 4 Final, EU Stage V, Japan 2014 (Tier 4 Final) and Korea Tier 4 Final diesel engines are required to use only Ultra Low Sulfur Diesel (ULSD) fuels containing 15 ppm EPA/10 ppm EU (mg/kg) sulfur or less.

Weights

Operating Weight	9362 kg	20,640 lb
Operating Weight – LGP	9693 kg	21,369 lb
Operating Weight – LGP, 762 mm/30 in	9893 kg	21,810 lb

- Specifications shown are for machine equipped with dozer blade, EROPS cab, back-up alarm, operator, coolant, lubricants and full fuel tank.
- For machine with ripper, add 554 kg (1,222 lb).

Cab

ROPS	ISO 3471:2008
FOPS	ISO 3449:2005 Level II

Transmission

Drive Pumps	1	
Track Motors	2	
Relief Valve Settings	48 500 kPa	7,033 psi
Maximum Travel Speed – Forward	9 km/h	5.6 mph
Maximum Travel Speed – Reverse	10 km/h	6.2 mph



D3 Track-Type Tractor

Undercarriage

Number of Rollers (each side)	7	
Number of Shoes (each side) – Sealed and Lubricated Track (SALT) Undercarriage	40	
Number of Shoes (each side) – Abrasion Undercarriage	36	
Shoe Width	510 mm	20 in
Shoe Width – LGP	660 mm	26 in
Shoe Width – LGP, 762 mm (30 in)	762 mm	30 in
Length of Track on Ground	2310 mm	91 in
Length of Track on Ground – LGP	2310 mm	91 in
Length of Track on Ground – LGP, 762 mm (30 in)	2310 mm	91 in
Track Gauge	1600 mm	63 in
Track Gauge – LGP	1750 mm	69 in
Track Gauge – LGP, 762 mm (30 in)	1860 mm	73 in
Ground Pressure	38.9 kPa	5.7 psi
Ground Pressure – LGP	31.2 kPa	4.5 psi
Ground Pressure – LGP, 762 mm (30 in)	27.2 kPa	3.9 psi

Service Refill Capacities

Fuel Tank	195 L	51.5 gal
Crankcase and Filter	10.5 L	2.8 gal
Final Drives, (each side)	10 L	2.6 gal
Final Drives, LGP (each side)	10 L	2.6 gal
Cooling System	19 L	5.0 gal
Transmission/Hydraulic Tank	90 L	23.8 gal
Diesel Exhaust Fluid (DEF) Tank	19 L	4.9 gal

Hydraulic Controls

Pump Output	65 L/min	17.2 gal/min
Relief Valve Settings	20 600 kPa	2,988 psi

Ripper

Type	Parallelogram	
Number of Shanks	3	
Maximum Digging Depth	337.5 mm	13.3 in
Maximum Reach at Ground Line	766 mm	30.2 in
Maximum Ground Clearance Under Tip	448 mm	17.6 in
Overall Width	1710 mm	67.3 in
Height	165 mm	6.5 in
Weight	554 kg	1,222 lb

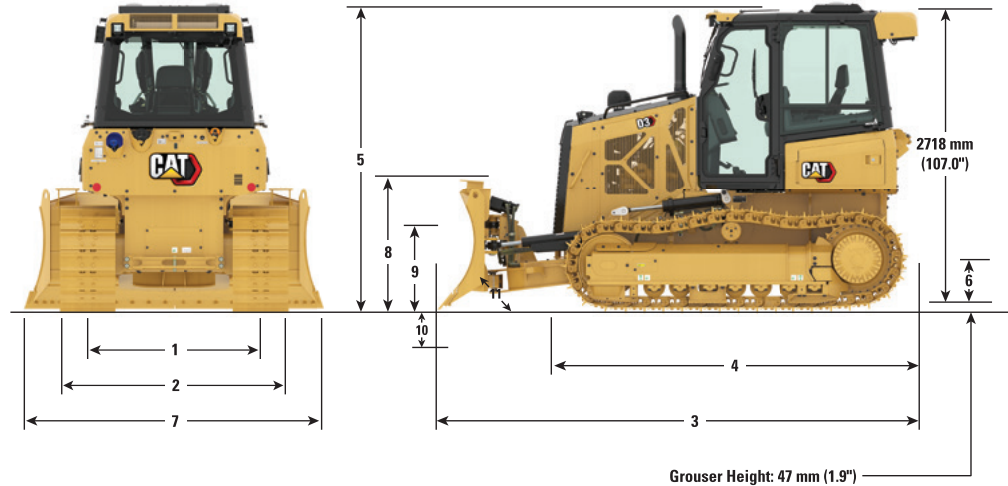
Winch

Weight	610 kg	1,345 lb
Winch Drive	Hydrostatic	
Control	Hydraulic	
Speed	Variable	
Winch Length	705 mm	27.76 in
Overall Width	741 mm	29.2 in
Drum Diameter	254 mm	10 in
Drum Width	274 mm	10.8 in
Throat Clearance	171.5 mm	6.75 in
Rope Diameter – recommended	16 mm	0.63 in
Rope Diameter – optional	19 mm	0.75 in
Drum Capacity – recommended cable	113 m	371 ft
Drum Capacity – optional cable	78 m	256 ft
Maximum Line Pull – bare drum	18 144 kg	40,000 lb
Maximum Line Pull – full drum	11 340 kg	25,000 lb
Maximum Line Speed – bare drum	40 m/min	131 ft/min
Maximum Line Speed – full drum	63 m/min	207 ft/min

Air Conditioning System

The air conditioning system on this machine contains the fluorinated greenhouse gas refrigerant R134a (Global Warming Potential = 1430). The system contains 1.8 kg of refrigerant which has a CO₂ equivalent of 2.574 metric tonnes.

D3 Track-Type Tractor



Dimensions*

	Standard		LGP		LGP, 762 mm (30 in)	
1 Track Gauge	1600 mm	63 in	1750 mm	67.9 in	1860 mm	73 in
2 Width of Tractor (standard shoes, no blade)	2110 mm	83 in	2360 mm	92.9 in	2630 mm	103.5 in
3 Overall Length (with blade)	4337 mm	170.7 in	4309 mm	169.6 in	4309 mm	169.6 in
4 Length of Basic Tractor (without blade)	3270 mm	128.7 in	3270 mm	128.7 in	3270 mm	128.7 in
5 Tractor Height	2769 mm	109 in	2769 mm	109 in	2769 mm	109 in
6 Ground Clearance	332 mm	13 in	332 mm	13 in	332 mm	13 in
With Ripper Attachment (add to Length of Basic Tractor)	1177 mm	46.3 in	1177 mm	46.3 in	1177 mm	46.3 in
BLADE						
	Standard		Intermediate		LGP	
7 Blade Width	2782 mm	109.5 in	2921 mm	115 in	3220 mm	126.7 in
8 Blade Height	1073 mm	42.2 in	1010 mm	39.8 in	1010 mm	39.8 in
9 Blade Lift Height	767 mm	30.2 in	767 mm	30.2 in	767 mm	30.2 in
10 Digging Depth	586 mm	23.1 in	572 mm	22.5 in	572 mm	22.5 in
11 Blade Cutting Edge Angle, Adjustable	52° to 58°		52° to 58°		52° to 58°	
Maximum Tilt	402 mm	15.8 in	448 mm	17.7 in	448 mm	17.7 in
Maximum Angle (either side)	25°		25°		25°	
Blade Width at Maximum Angle	2636 mm	103.8 in	2669 mm	105.1 in	2940 mm	115.8 in
Blade Capacity (SAE)	2.19 m ³	2.86 yd ³	2.09 m ³	2.73 yd ³	2.34 m ³	3.06 yd ³

*Abrasion Undercarriage

D3 Track-Type Tractor

Standard and Optional Equipment

Standard and optional equipment may vary. Consult your Cat dealer for details.

	Standard	Optional		Standard	Optional
POWER TRAIN			ATTACHMENTS		
Air cleaner with precleaner, automatic dust ejection and underhood intake	✓		Rigid drawbar	✓	
Air cleaner with external precleaner		✓	Drawbar, towing		✓
Aluminum bar plate cooling system (radiator, power train)	✓		Front pull device	✓	
Automatic traction control	✓		Machine security system		✓
Cat C3.6 diesel engine	✓		Mounting, winch		✓
Drive, auxiliary	✓		Ripper, parallelogram, includes three shanks and teeth		✓
Dual path, closed loop, hydrostatic transmission	✓		Winch, hydraulic, high performance		✓
Electric fuel pump	✓		Winch, hydraulic, retrieval		✓
Fuel/water separator	✓		OPERATOR ENVIRONMENT		
Installation, winch		✓	Armrests, adjustable	✓	
Turbocharged aftercooled	✓		Cab, with air conditioning		✓
ELECTRICAL			Cab, polycarbonate windows and air conditioning		✓
Alarm, backup	✓		Coat hook	✓	
Alternator, 150 amp, heavy duty	✓		Controls, seat mounted, fore/aft adjustment	✓	
Batteries, heavy duty, maintenance free, 1,000 CCA	✓		Cup holders	✓	
Diagnostic connector	✓		Eco Mode	✓	
Four integrated front halogen lights, two rear halogen	✓		Electronic Monitoring system with gauge:		
Four integrated front LED lights, two rear LED		✓	– Chassis slope indication	✓	
Horn, electric	✓		– Diesel exhaust fluid (DEF)	✓	
Starter, electric, 12 V, heavy duty	✓		– Engine coolant temperature	✓	
UNDERCARRIAGE			– Fuel level	✓	
SALT undercarriage (40 section)	✓		– Hydraulic oil temperature	✓	
Abrasion undercarriage (36 section)		✓	Electronic security system	✓	
Track Pairs			Engine air cleaner service indicator	✓	
– Track, 510 mm (20 in)		✓	Engine RPM and gear display	✓	
– Track, 660 mm (26 in)		✓	Floor mat, rubber, heavy duty	✓	
– Track, 762 mm (30 in)		✓	Foot pads, dash	✓	
Carrier rollers	✓		Hour meter, electronic	✓	
Guards, front/rear guiding	✓		Independent forward/reverse speed settings	✓	
Seven roller track frame	✓		Mirror, rearview, inside	✓	
Track adjusters, hydraulic	✓		Power port, 12 volt	✓	
Track rollers, lifetime lubricated	✓		Radio, AM/FM Bluetooth®		✓
HYDRAULIC			ROPS/FOPS canopy	✓	
Hydraulic pump and oil	✓		Seat, air suspended, cloth or vinyl	✓	
Four valve for use with ripper		✓	Seat, air suspension, choice of:		
Four valve for use with winch		✓	– Vinyl, heated seat with heated controls		✓
Single lever, three function control	✓		– Cloth, heated seat with heated controls		✓
Three valve hydraulics	✓		– Cloth, heated and ventilated seat with heated controls		✓
CAT TECHNOLOGY			Seatbelt, hi-vis retractable 76 mm (3")	✓	
Cat GRADE with Slope Assist		✓	Seatbelt buckling indicator/reminder	✓	
Cat GRADE with 3D		✓	Single pedal combining decel and brake functions	✓	
Cat Product Link PLE643/PLE743 Cellular	✓		Sound suppression		✓
Cat Product Link PLE683/PLE783 Cellular/Satellite		✓	Speed recall	✓	
Full-color 10 in (254 mm) touchscreen grade display		✓	Storage compartment	✓	
Power Pitch		✓	Throttle switch, rotary	✓	
Slope Indicate	✓		Travel speed limiter, electronic	✓	
Stable blade	✓		OTHER		
			Heater, engine, coolant 120 V/240 V		✓
			Starting aid, ether		✓

For more complete information on Cat products, dealer services, and industry solutions, visit us on the web at www.cat.com

© 2020 Caterpillar
All rights reserved

Materials and specifications are subject to change without notice. Featured machines in photos may include additional equipment. See your Cat dealer for available options.

CAT, CATERPILLAR, LET'S DO THE WORK, their respective logos, "Caterpillar Corporate Yellow," the "Power Edge" and Cat "Modern Hex" trade dress as well as corporate and product identity used herein, are trademarks of Caterpillar and may not be used without permission.

AEHQ8307 (07-2020)
Build Number: 12A
(N Am, EU, Aus-NZ, Japan)

