

FM 120 C



FEATURES

- Static sand recovery unit on one chassis
- Centrifugal slurry pump
- Hydrocyclone
- Collection tank
- 12 x 5 dewatering screen
- Produces one grade of sand
- Designed to work in conjunction with Terex Washing Systems range

FEATURES AND BENEFITS

- Underflow rubber lined slurry pump
- One rubber lined hydrocyclone which classifies at approximately 75µm (200 mesh)
- Self regulating cyclone tank complete with built in float system and anti-turbulence sections
- High frequency 12x5 dewatering screen fitted with polyurethane modular mats
- Maximum recovery of material above 75µm (200 mesh)
- Removes silt, slimes and clays below 75µm (200 mesh)
- Removes water following dewatering operation to 10–15% of residual water content
- Major reduction in saleable material discharging to the pond, thus reducing pond maintenance and saving money
- Heavy-duty robust construction ideal for rugged operating environment
- Low maintenance
- All wear areas rubber lined
- Walkway and access ladder
- Quick assembly time
- Breaks down into one 40' (12m) container

APPLICATIONS

- All forms of concrete, mortar and asphalt sands
- Quarry dust / crushed fines
- Lake and beach sands
- Silica sand for glass industry
- Golf course sands
- Filter bed sands
- Recycled materials
- Iron ore
- Most materials which need to be washed

OPTIONS

- Boiler box for dry feed
- Electrical control panel
- Spraybars on dewatering screens

SPECIFICATIONS

TECHNICAL DIMENSIONS

WORKING LENGTH	6.5m (21'3")
WORKING WIDTH (INC WALKWAY)	3.5m (11'4")
WORKING HEIGHT	6.2m (20'3")
FEED HEIGHT	1.90m (6'3")
PRODUCT DISCHARGE HEIGHT	1.7m (5'6")
WASTE WATER DISCHARGE HEIGHT	971mm (3'2")
TOTAL WEIGHT(EMPTY)	8000kg (17600 lb)
TOTAL WEIGHT(WORKING)	14800kg (32600 lb)



CYCLONE

One G4 660 hydrocyclone

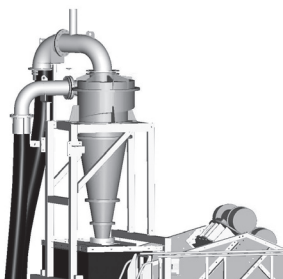
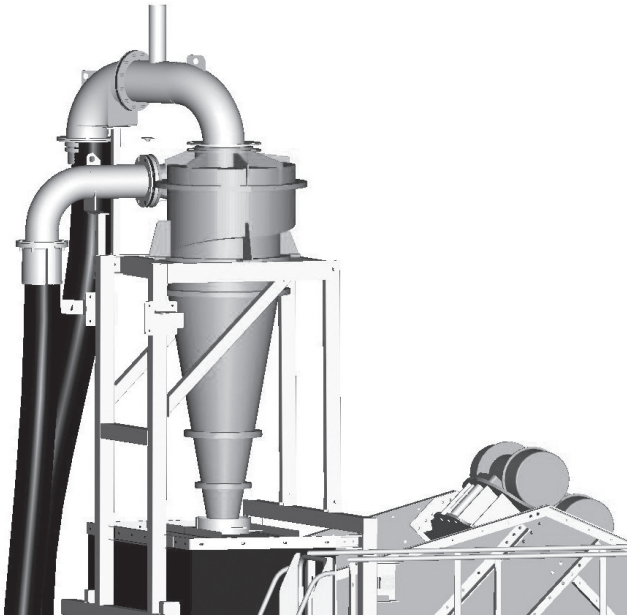
Spigot discharge

All wear areas rubber lined

Underflow collection box

Pressure flange with pressure gauge and protector

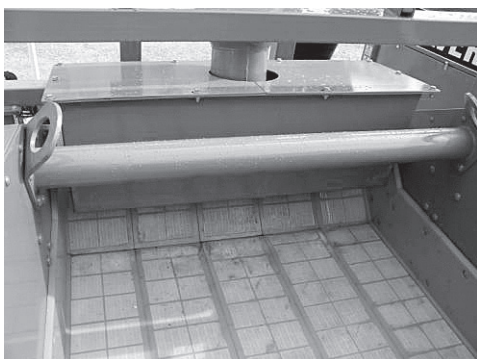
200mm (8") rubber lined slurry delivery hose



Rubber lined sealed slurry transfer pipe complete with heavy duty clamps



Rubber lined spigot



Full width underflow distribution box giving and even flow to the screen

CENTRIFUGAL PUMP

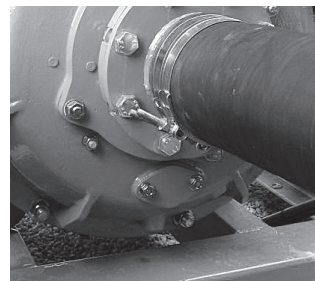
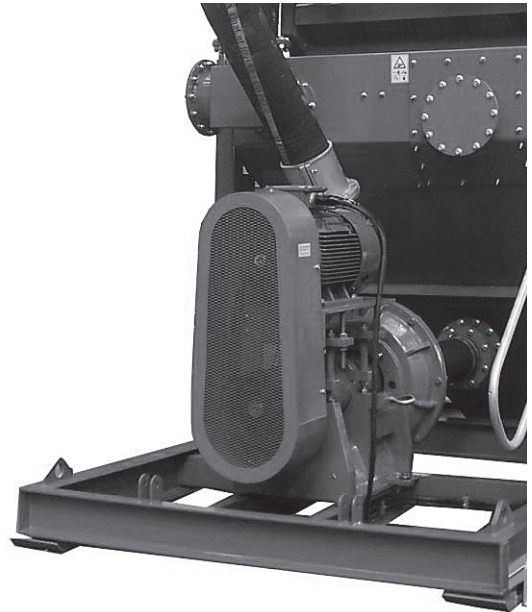
Size 200/150mm (Heavy duty rubber lined)

Motor 30kW (40hp) (IP55 enclosure)

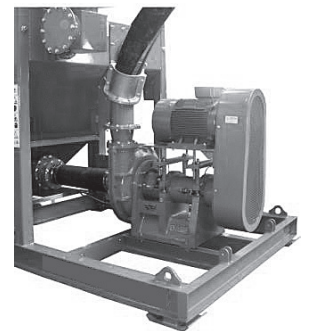
Abrasion resistant liners

Moulded rubber impeller

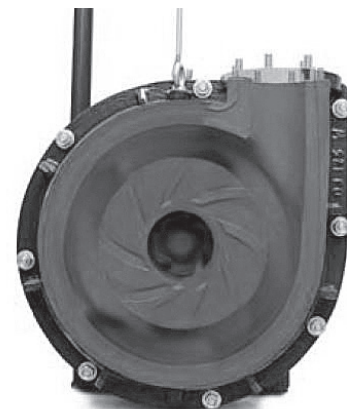
Excellent serviceability



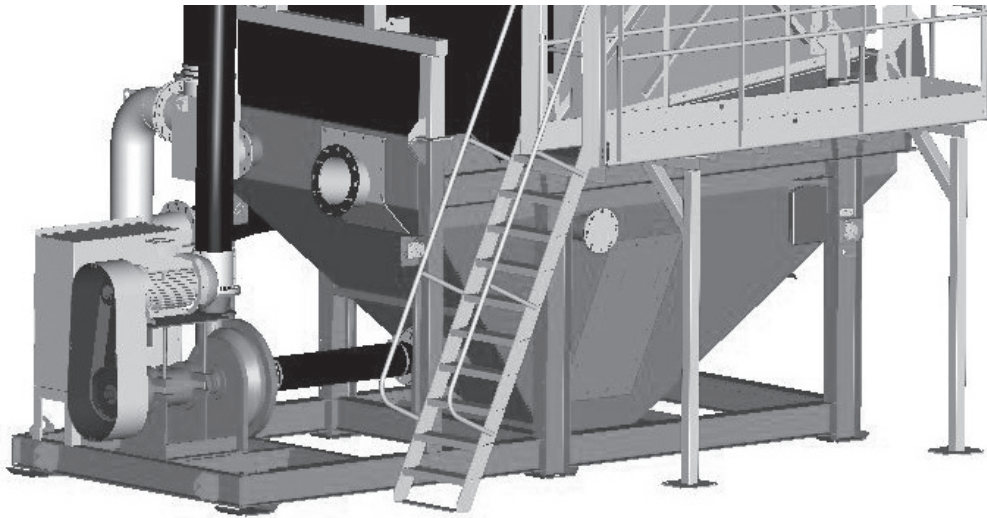
Pump drain for cold climate applications



Easy access for ease of maintenance



Fully rubber lined for increased wear life



CHASSIS

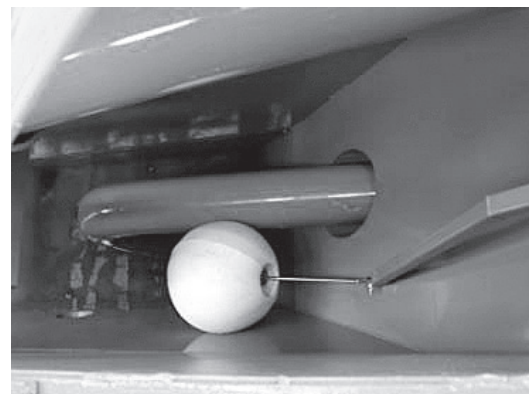
Self regulating cyclone tank complete with built in float system

Build in anti-turbulence sections

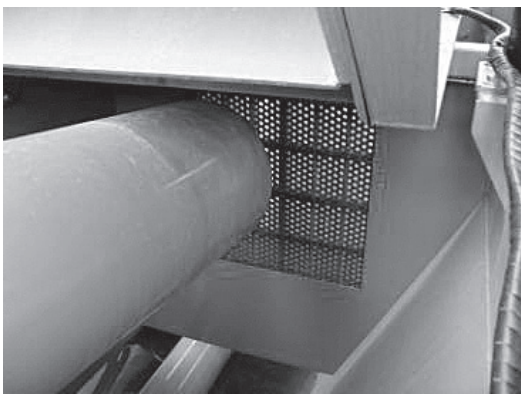
Heavy duty steel construction

Easy access to serviceable areas

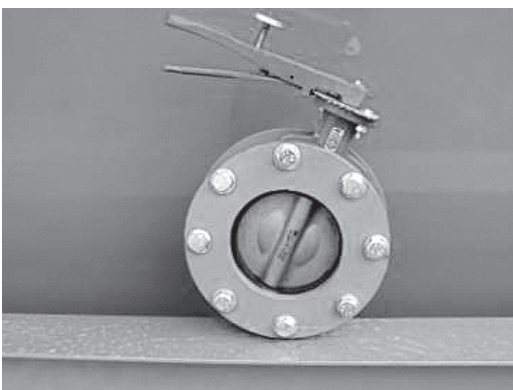
Walkway with steps and handrails



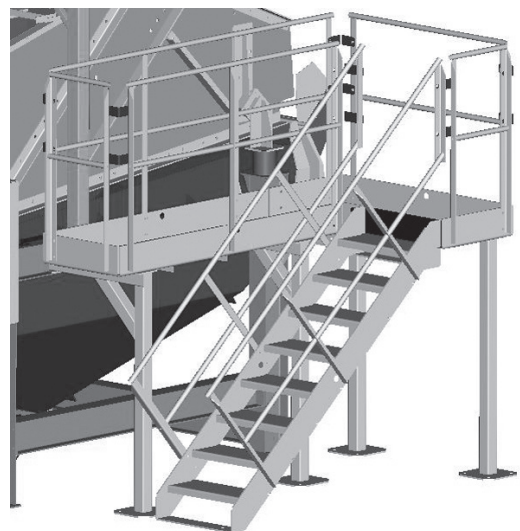
Float system for self regulation of tank water level



Rubber lined anti-turbulence inlet



Integrated tank drains for ease of maintenance



Walkway, steps and handrails included standard with all machines



DEWATERING SCREEN

Size 3.8m x 1.5m (12' x 5')

Vibratory motors 4kW (5.5hp) (2off) 960rpm

Screen aperture 0.5mm (0.02") feed side & 0.5mm (0.02") discharge side

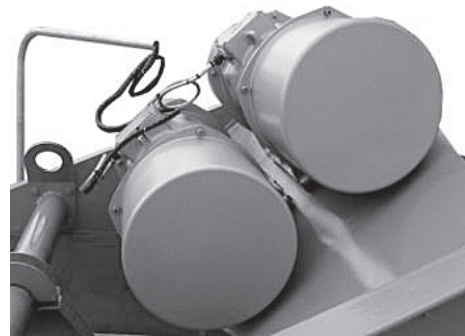
Exceptional dewatering performance

Compression fit modular screen decks

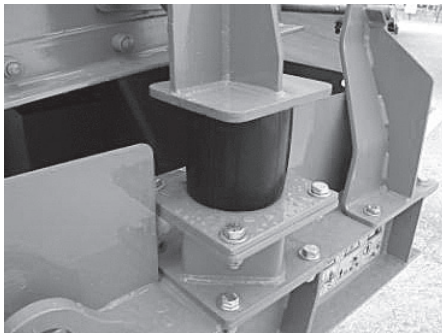
Side protection liners

Marshmellow[®] screen mounts for smoother running

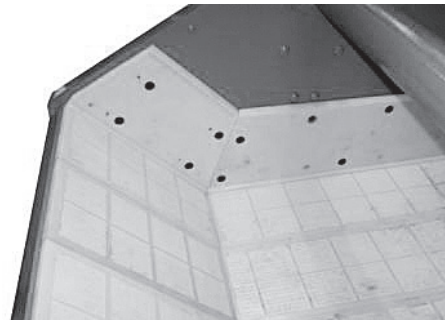
Rubber lined discharge chute



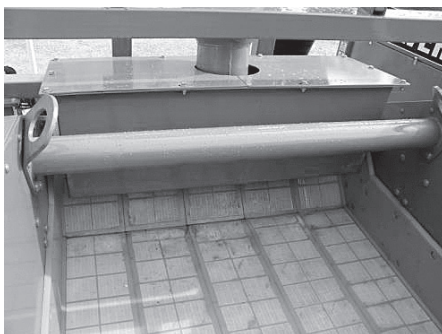
Low noise vibrating motor



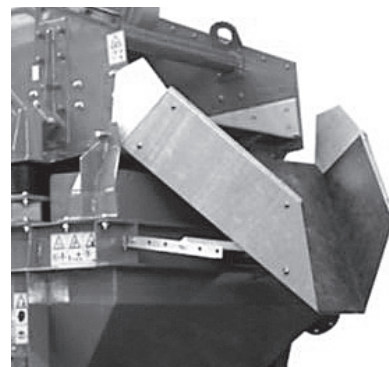
High efficiency rubber screen mount for minimal vibration



Sloped back panel for maximum water removal



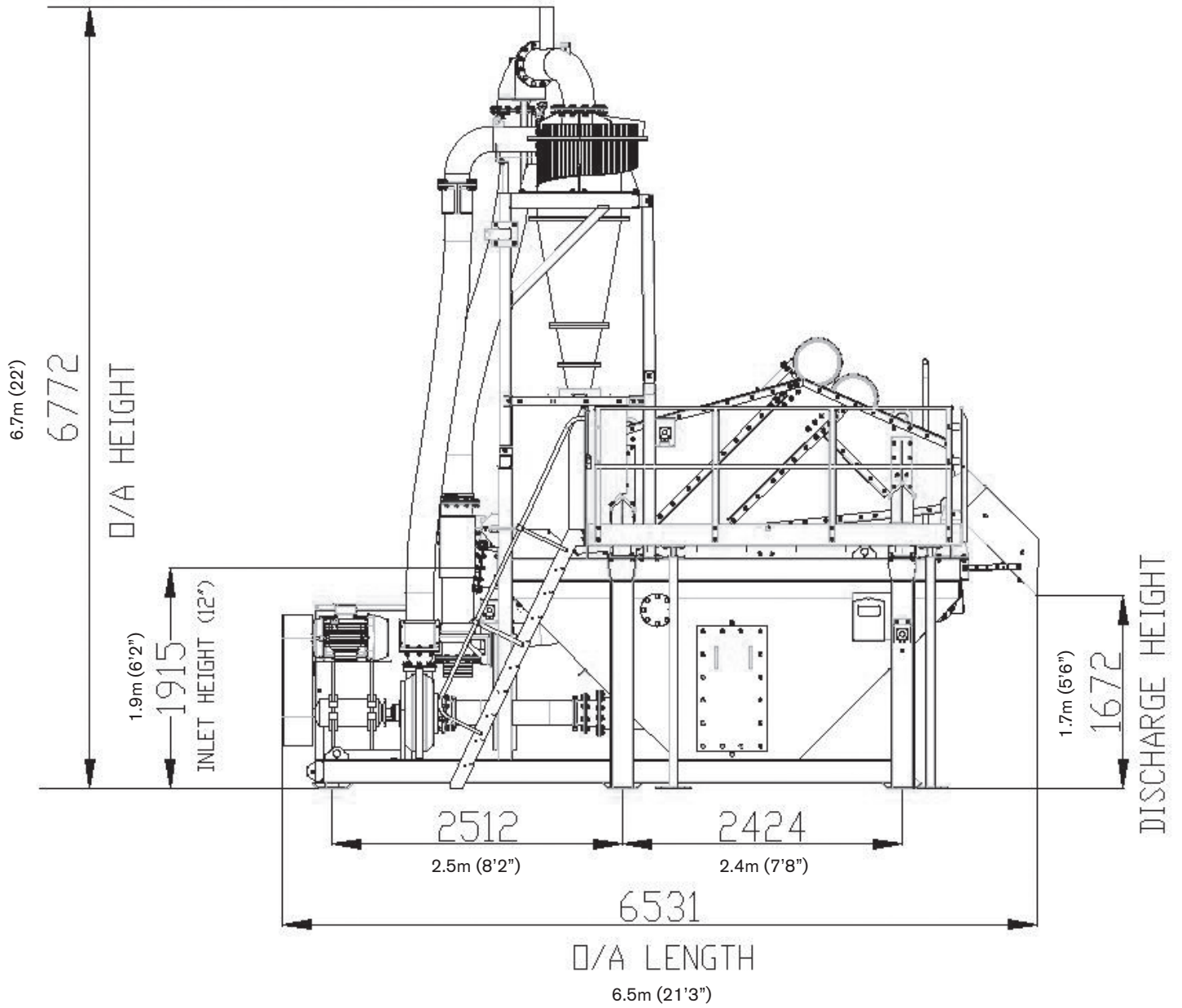
Modular screen decks and side protection liners

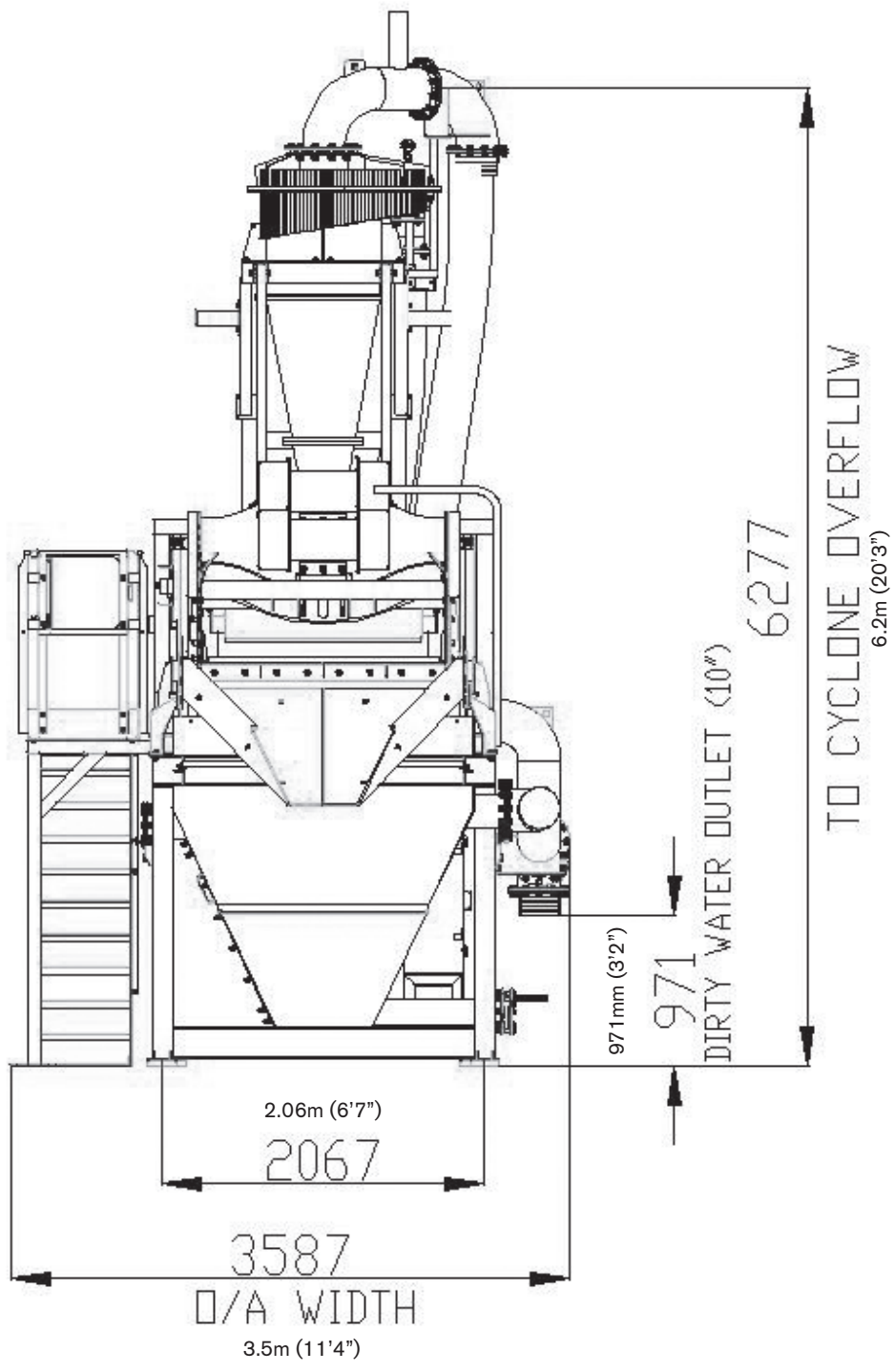


Rubber lined chute

DIMENSIONS

FM 120C - TRANSPORT DIMENSIONS





TEREX WASHING SYSTEMS CONTACT DETAILS

Dungannon Site

200 Coalisland Road
Dungannon
Co. Tyrone
Northern Ireland
BT71 4DR

Tel: +44(0) 28 8771 8500

Email: TWS.sales@terex.com

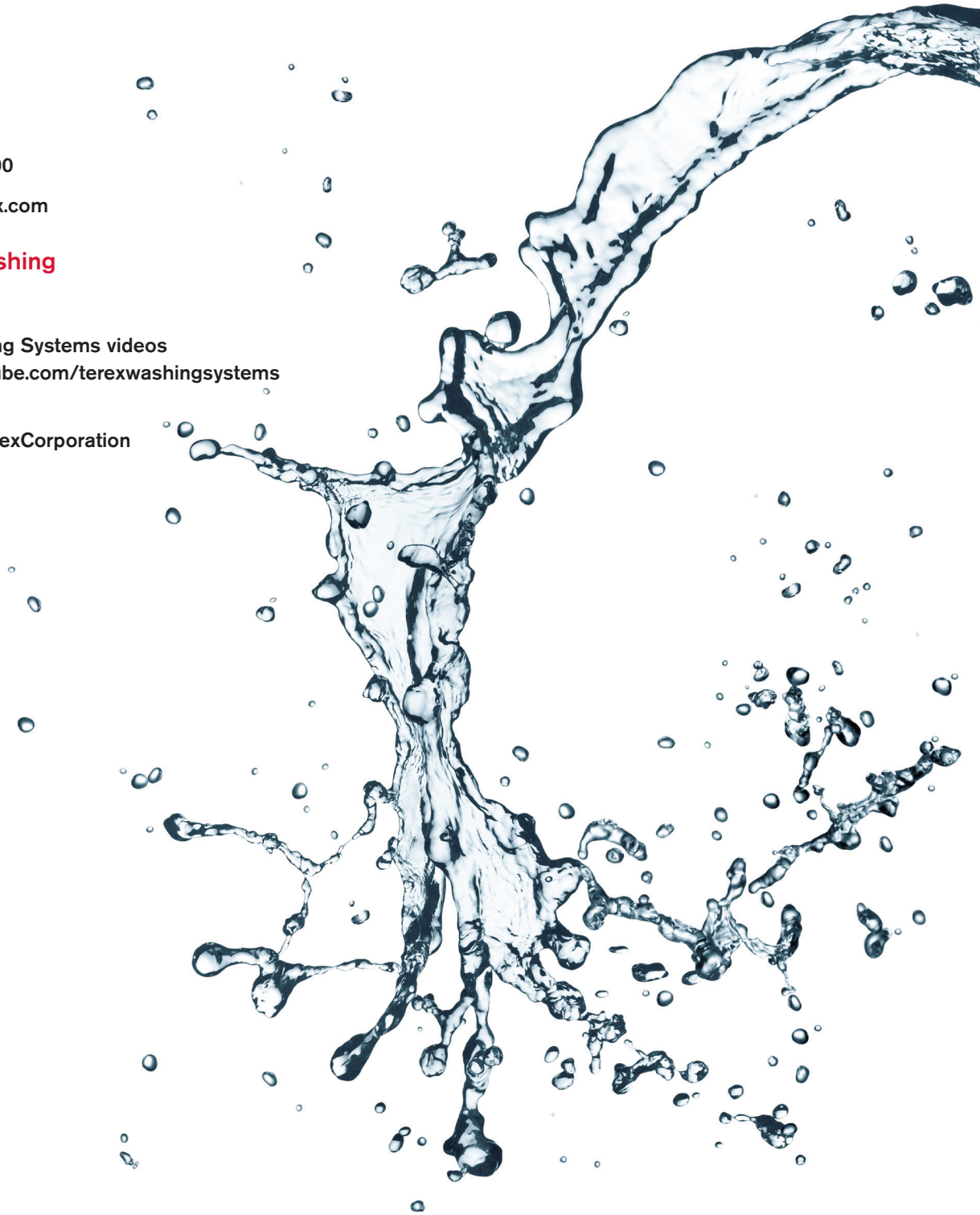
www.terex.com/washing

YouTube

Check out Terex Washing Systems videos
on YouTube: www.youtube.com/terexwashingsystems

f

www.facebook.com/TerexCorporation



Effective Date: July 2012 Product specifications and prices are subject to change without notice or obligation. The photographs and/or drawings in this document are for illustrative purposes only. Refer to the appropriate Operator's Manual for instructions on the proper use of this equipment. Failure to follow the appropriate Operator's Manual when using our equipment or to otherwise act irresponsibly may result in serious injury or death. The only warranty applicable to our equipment is the standard written warranty applicable to the particular product and sale and Terex makes no other warranty, express or implied. Products and services listed may be trademarks, service marks, or trade names of Terex Corporation and/or its subsidiaries in the USA and other countries. All rights are reserved. Terex is a registered trademark of Terex Corporation in the USA and many other countries. © 2010 Terex Corporation.



WORKS FOR YOU.™